



VersiJack[®] S

Paver & Bearer Support



035 - 005
100% recycled
materials



ecospecifier
2010/11

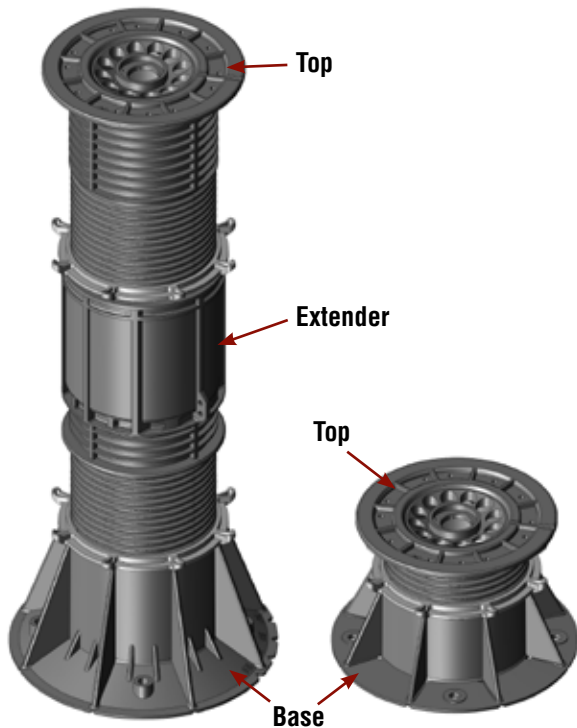
as seen on www.ecospecifier.org



Solutions for Sustainable Urban Development

VersiJack® S

VersiJack® S eliminates the need for bedding sand and/or use of brick or metal piers for installation of raised pavers or decking. It eliminates efflorescence and prevents algae growth on pavers, facilitates rapid surface drainage and easy accessibility to waterproofing membranes and concealed services. It also provides a ventilation break that enhances heat and sound insulation.

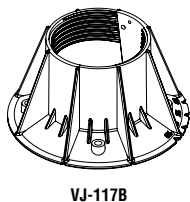


VersiJack® S is a new generation height and slope-adjustable pedestal that offers users a wide range of component parts to cater to different height requirements, including three pedestal tops (43, 84 and 164mm) and two pedestal bases (74 and 117mm).

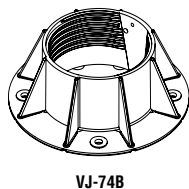
The basic pedestal height can be increased to above 1000mm using only three Extenders, thus providing significant cost savings for pedestal heights above 500mm.

VersiJack® S may be used with a combination of one or more accessories, including top and base correctors that allow slope compensation up to 5% each. The base slope corrector enables the pedestal to remain upright on a sloping surface, minimising possibility of toppling at extended heights.

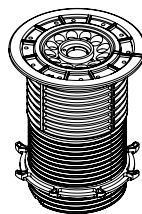
Drainage holes and a slope design at the base flange of the two pedestal bases prevent water pooling and breeding of pests.



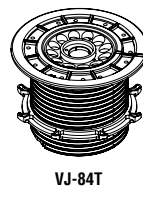
VJ-117B



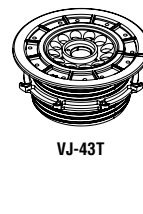
VJ-74B



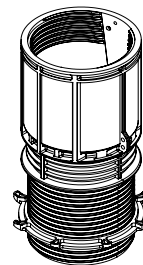
VJ-164T



VJ-84T



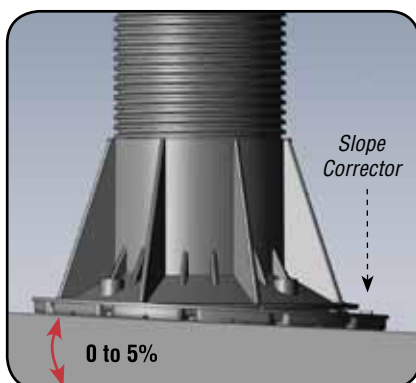
VJ-43T



VJ-245E

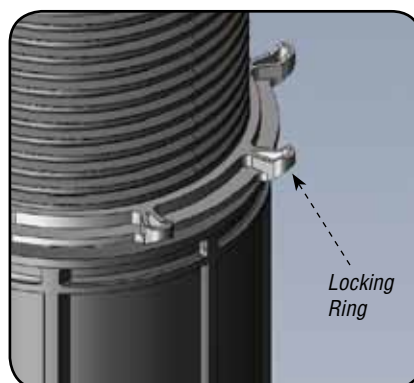
Bottom Slope Corrector

VersiJack® S has optional slope correctors at the top or bottom of the pedestal. The Bottom Slope Corrector allows the pedestal to remain upright.



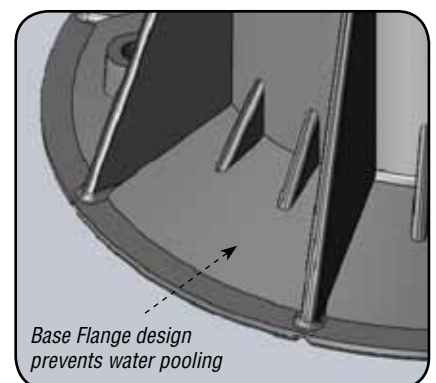
Locking Ring

Locking rings ensure that the individual pedestals are secured at desired heights. They are easily removed when not required.



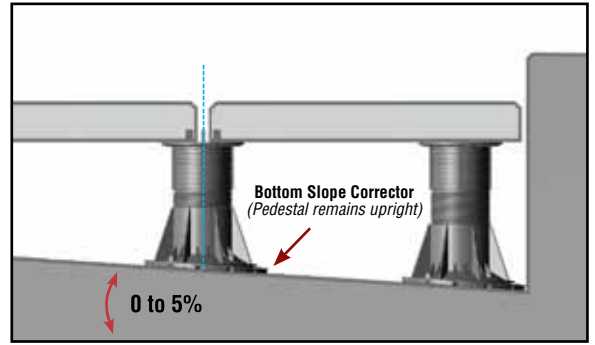
Non-Water Retention

The base design prevents water pooling and breeding of pests at the base flange especially when pedestals are installed on an incline.



Advantages

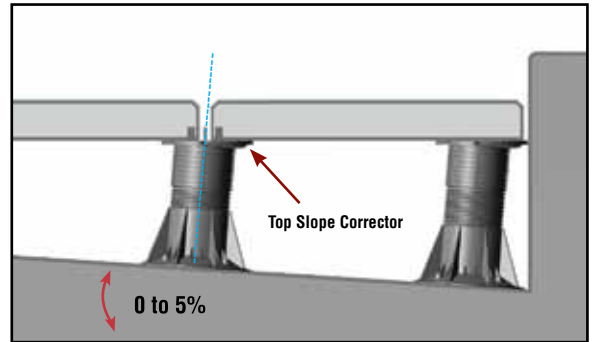
- Progressive height increase
- Easy to install, cost effective and lightweight
- Optional top and/or bottom slope correction
- Base design does not retain water
- Made from 100% recycled material
- Supports Green Building certification



VersiJack® S with Bottom Slope Corrector

Applicable areas

- Pool surrounds
- Roof terraces
- Balconies and patios
- Pedestrian walkways
- Plaza decks
- Reflective pools



VersiJack® S with Top Slope Corrector

Accessories



Bottom Slope Corrector



Top Slope Corrector



Bearer Holder



Spacer Tabs



Asy-Syakirin Mosque
Malaysia



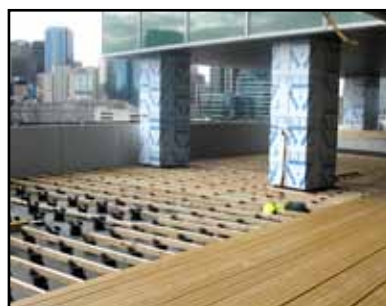
Merrill Lynch HarbourFront
Singapore



Sentosa Boardwalk
Singapore



Science Park 2
Hong Kong



Melbourne Convention Centre
Australia



Nanyang Technological University
Singapore

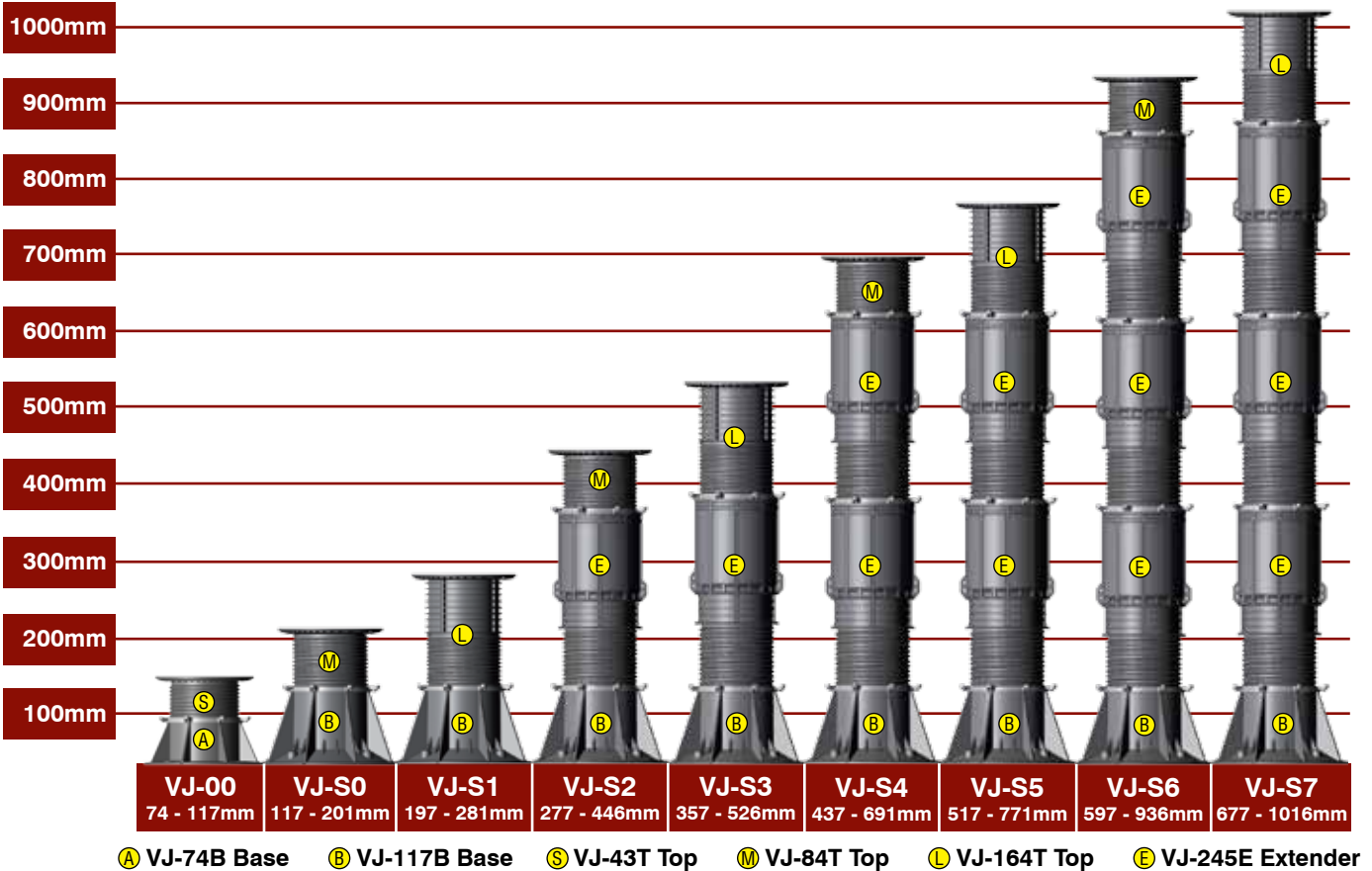
Specifications

Material	Polypropylene		
Colour	Black		
Height			
Pedestal (assembled)	74mm to 1016mm		
Base		<u>Nominal</u>	<u>Overall</u>
VJ-117B		117mm	108mm
VJ-74B		74mm	65mm
Top			
VJ-164T		164mm	192mm
VJ-84T		84mm	112mm
VJ-43T		43mm	71mm
Extender	VJ-245E	245mm	265mm

Ultimate Compressive Strength¹	15kN
Design Compressive Strength¹	11kN
Slope correction	0% to 5% @ 1% increment
Spacer Tab	
Height	25mm
Thickness	2 / 3 / 4 / 6 / 10mm (gap between pavers)
Bearer Holder	50mm to 85mm (bearer width)
Biological / Chemical Resistance	Unaffected by moulds and algae and good resistance to alkali and bitumen

¹ varies with different heights

VersiJack® S Series



Note: The information provided in this brochure is based on current knowledge and experience and does not infer any legally binding assurance or warranty, expressed or implied. Intending purchasers should verify whether any changes to specifications or applications or otherwise have been made since the issue of this literature. Environmental-friendly recycled materials are used wherever possible and physical product properties including colour may differ due to source of raw materials used. Colour may also fade due to UV exposure. All components of the product are designed for specific application, design calculations and any variation and/or deviation therefrom shall be the responsibility of the Specifier and/or User.

Distributed by: